

Contents

<i>Description</i>	<i>Page</i>
Reversing Drum Switches	
Application Description . . .	38-10
Features	38-10
Operation	38-10
Standards and Certifications	38-10
Wiring Diagrams	38-10
Dimensions	38-11
Product Selection	38-11

Application Description

These drum switches are designed primarily for use with single-phase and squirrel cage, single-speed reversible motors which may be connected directly across-the-line. Typical applications would be hoists and machine tools.

Features

- Compact size
- Front mounting — easily installed
- Terminals front accessible — slanted 45° for extra convenience
- Captive pressure clamps on terminal screws back off with screw — no prying with screwdriver necessary
- Choice of operators
 - Large
 - Lever
 - Knob
- Orientation of operator independent of legend — 360° positioning in 22-1/2° increments — pointer remains oriented to legend
- Field convertible from maintained to momentary operation
- Replaceable, large volume, silver plated contacts
- Oiltight machine cavity or surface mounting types
- Modern attractive appearance

Operation

All of the operators may be rotated 360° in 22-1/2° increments without losing the indication of the drum position. A red-lined pointer is permanently orientated to the legend markings and clearly indicates the selected drum function regardless of the selected setting for the operator. This enables the user to “offset” the operator to afford the most comfortable operating position. This is accomplished simply by loosening and retightening one screw.

Standards and Certifications

- UL File No. E37316, Category NLRV
- CSA Guide No. 184-N-13.13A, Class 3211



Type DB and DD

Wiring Diagrams

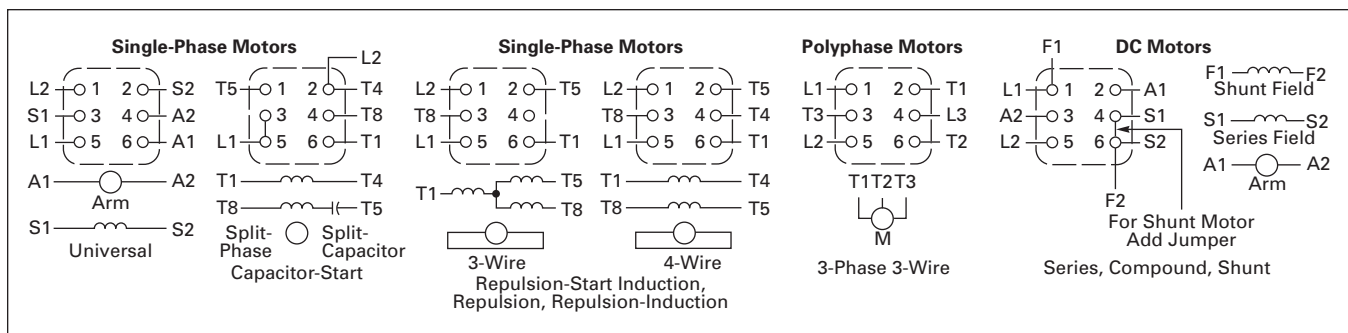


Figure 38-5. Wiring Diagrams

